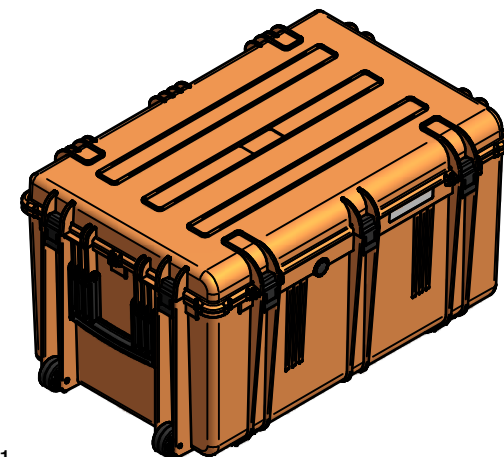
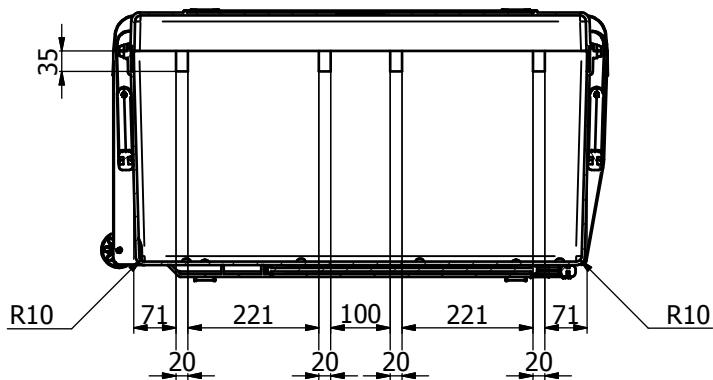
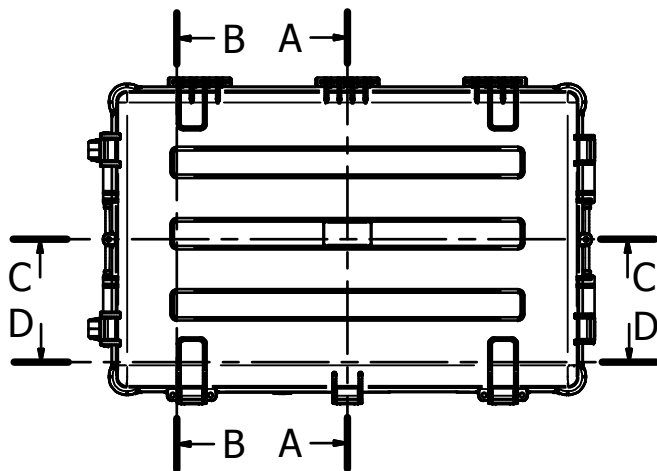
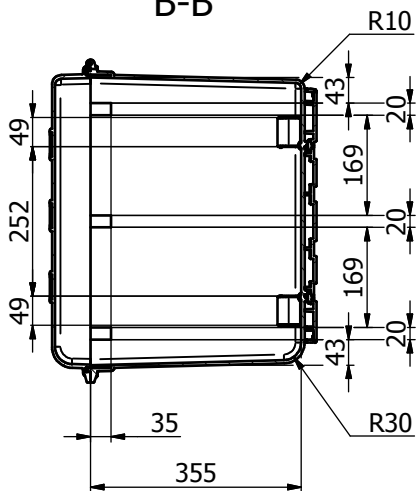


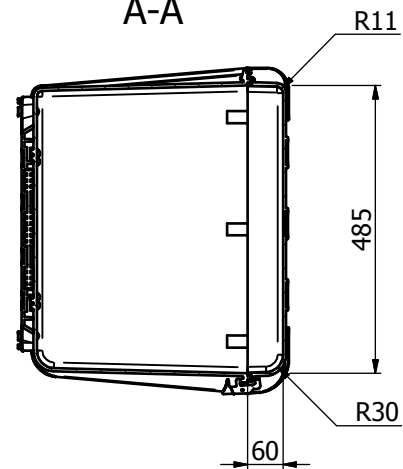
C-C



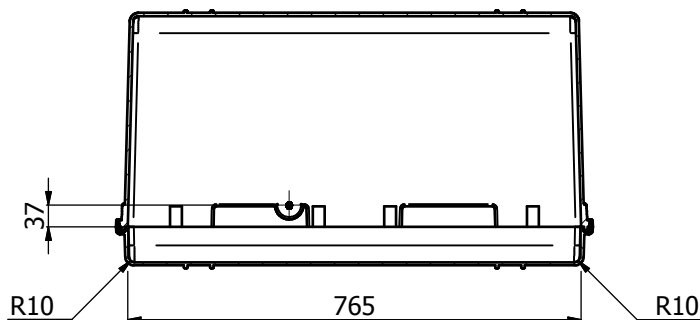
B-B



A-A



D-D



EXPLORER CASES  
Internal dimension-general tolerance +/-1.5%  
GT Line - TechDept - All rights reserved

|                      |            |           |      |                   |
|----------------------|------------|-----------|------|-------------------|
| Note                 |            | Scale     | Size | General Clearance |
| ALL DIMENSIONS IN mm |            |           | A3   |                   |
| Material             |            | Treatment |      | Color             |
| Designer             | Date       | Check     | Date | Replace by        |
|                      | 23/05/2012 |           |      |                   |
| Description          |            | Date      |      |                   |
|                      |            | File Name |      | Revision          |
|                      |            | 7641      |      |                   |