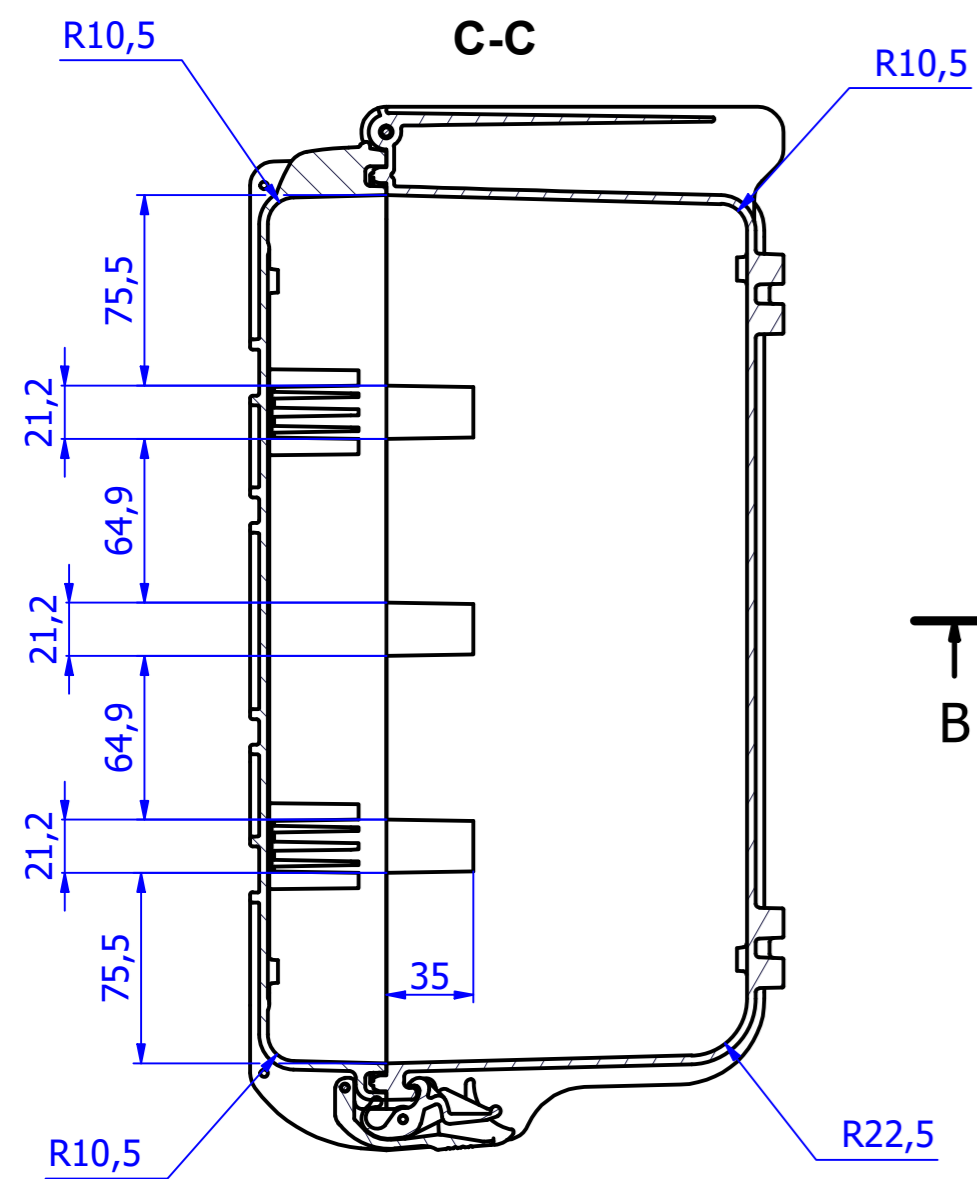
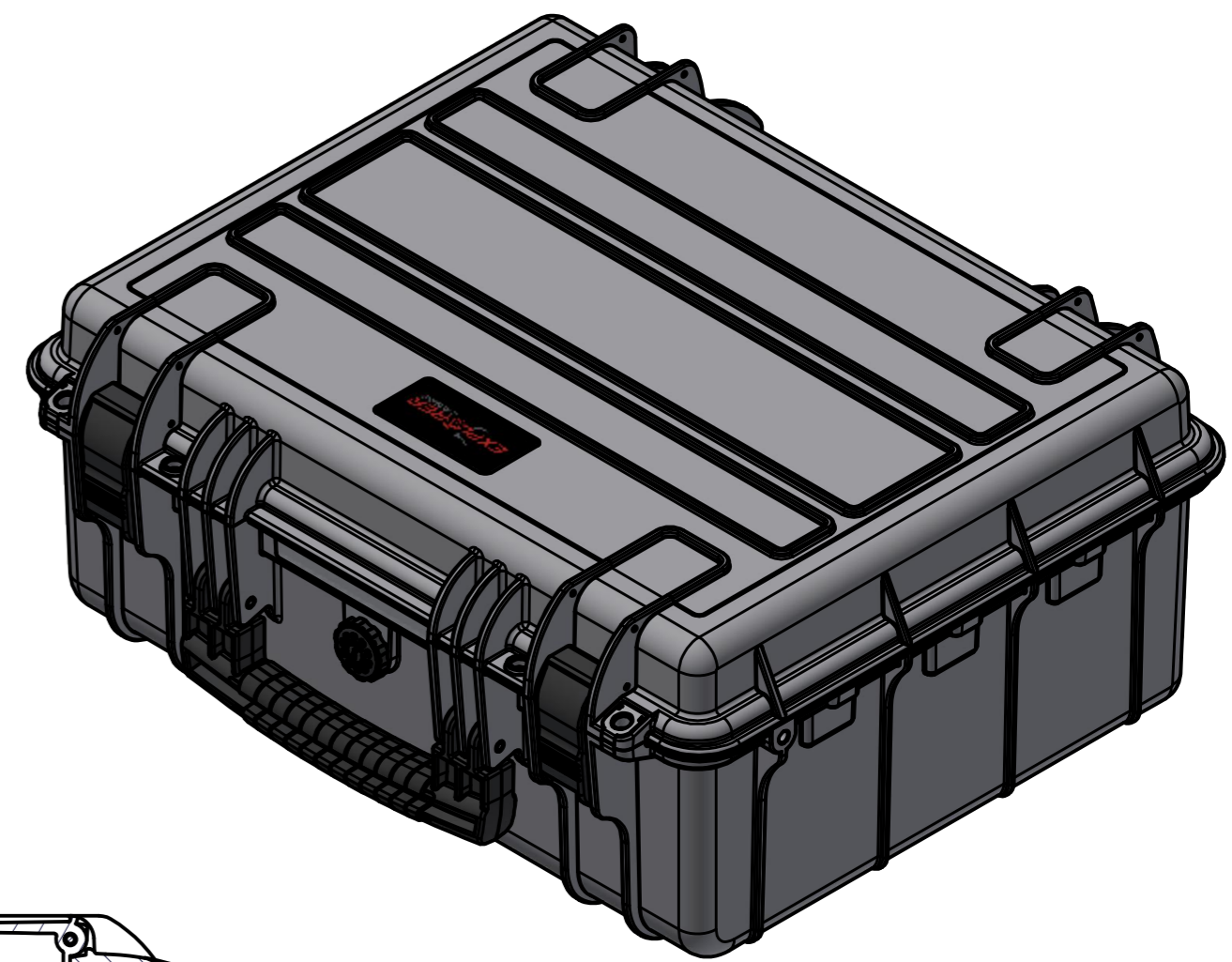
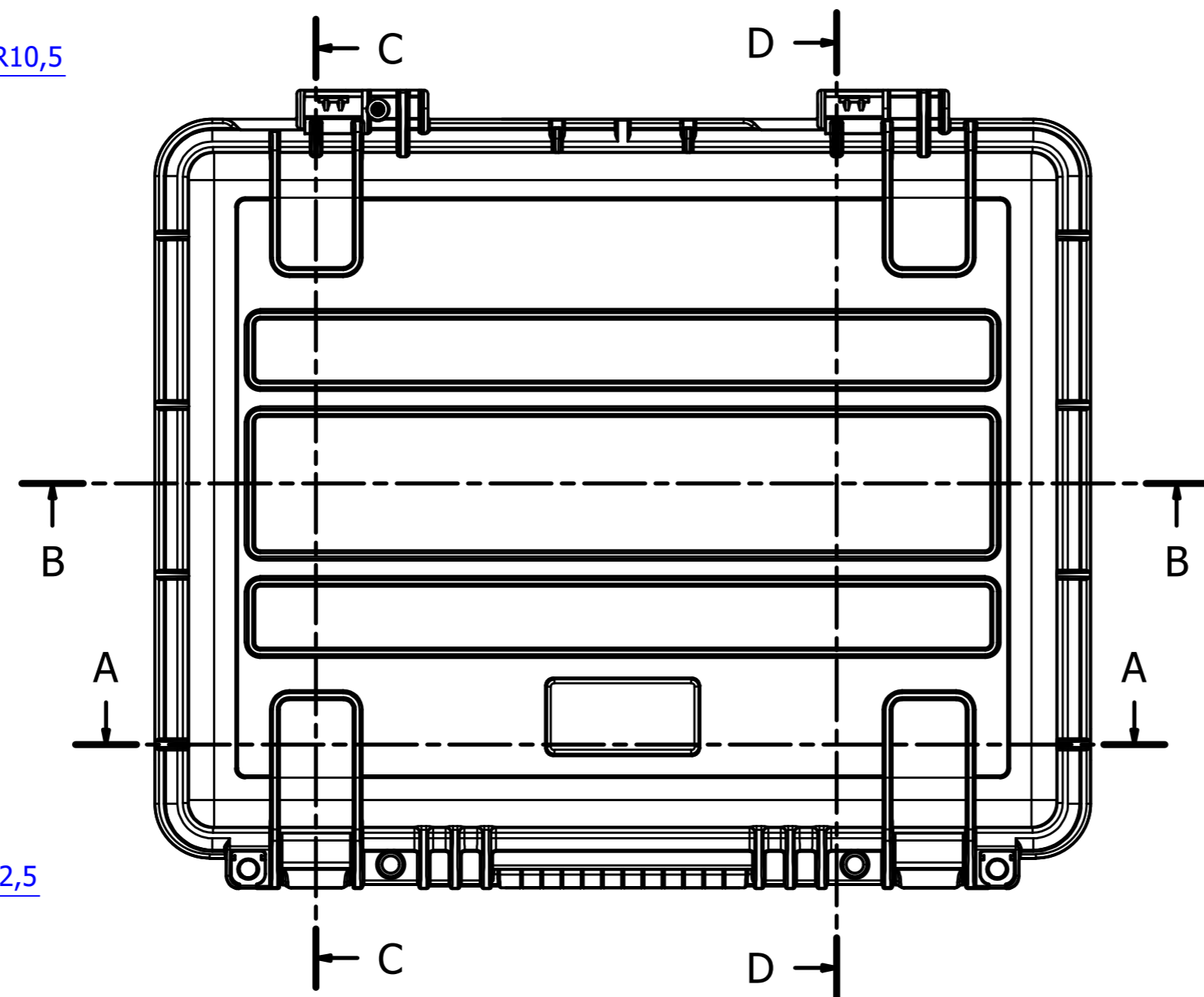


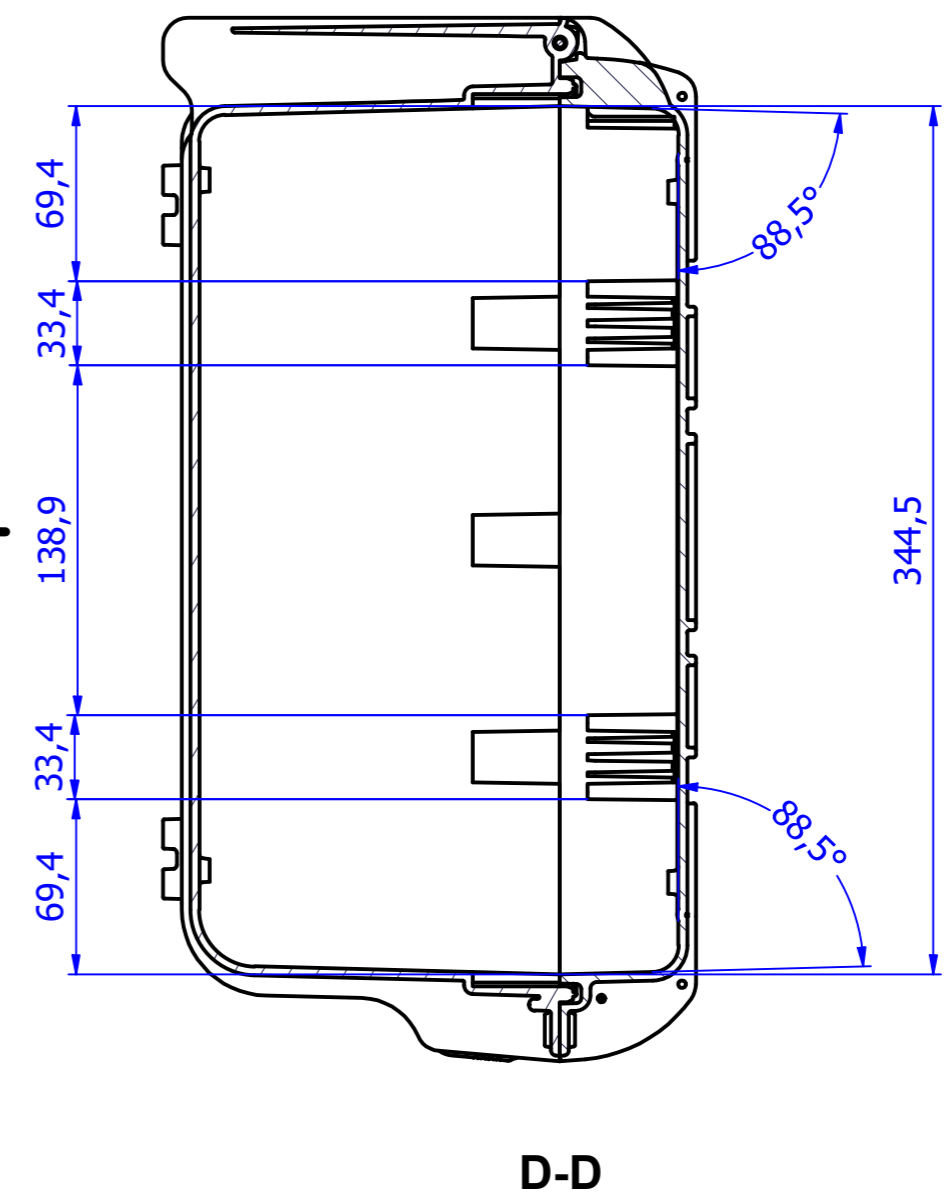
B-B



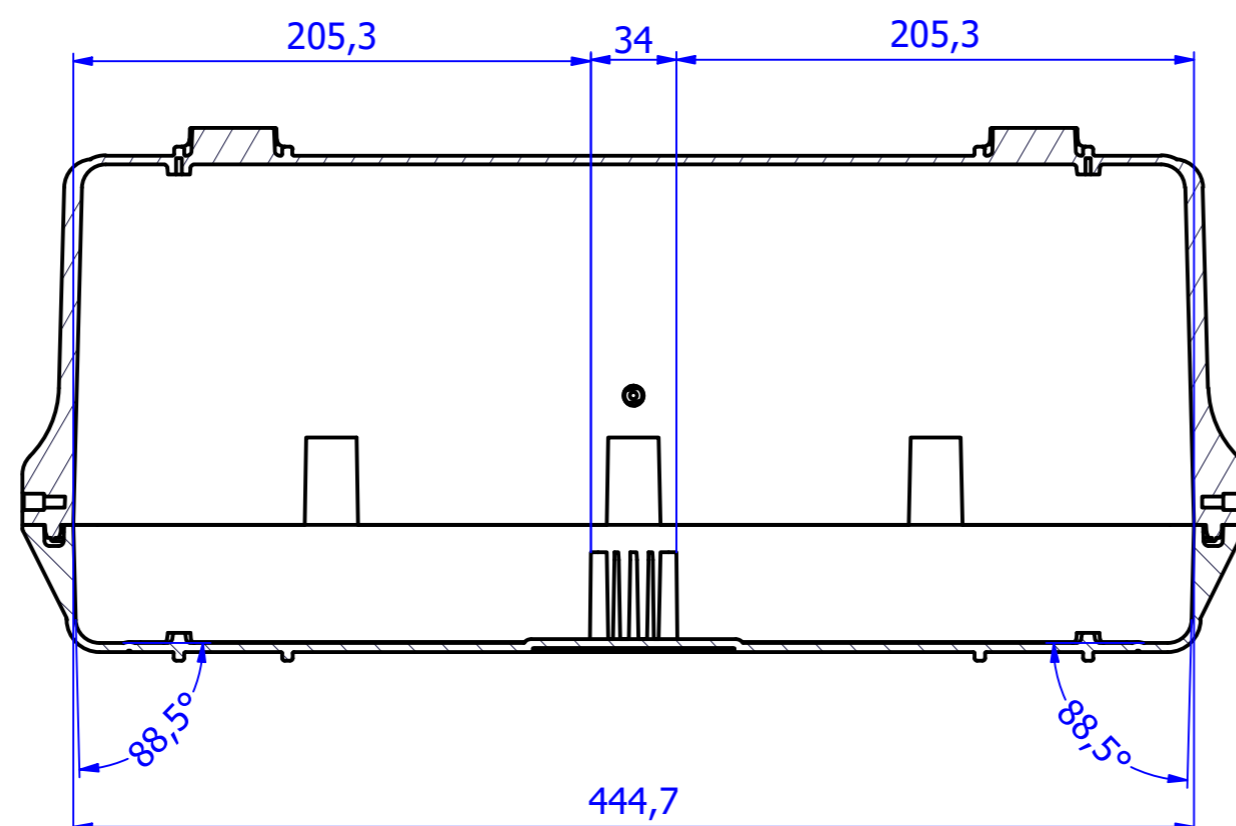
C-C



A-A



D-D



Note				Size	General Tolerance
All dimensions in mm				A2	±0,1
				Scale	
				1 : 3	
Material		Treatment		Color	
Designer	Date	Check	Date	Replace by	Date
Description				Revision	
				File Name	
				4419HL	