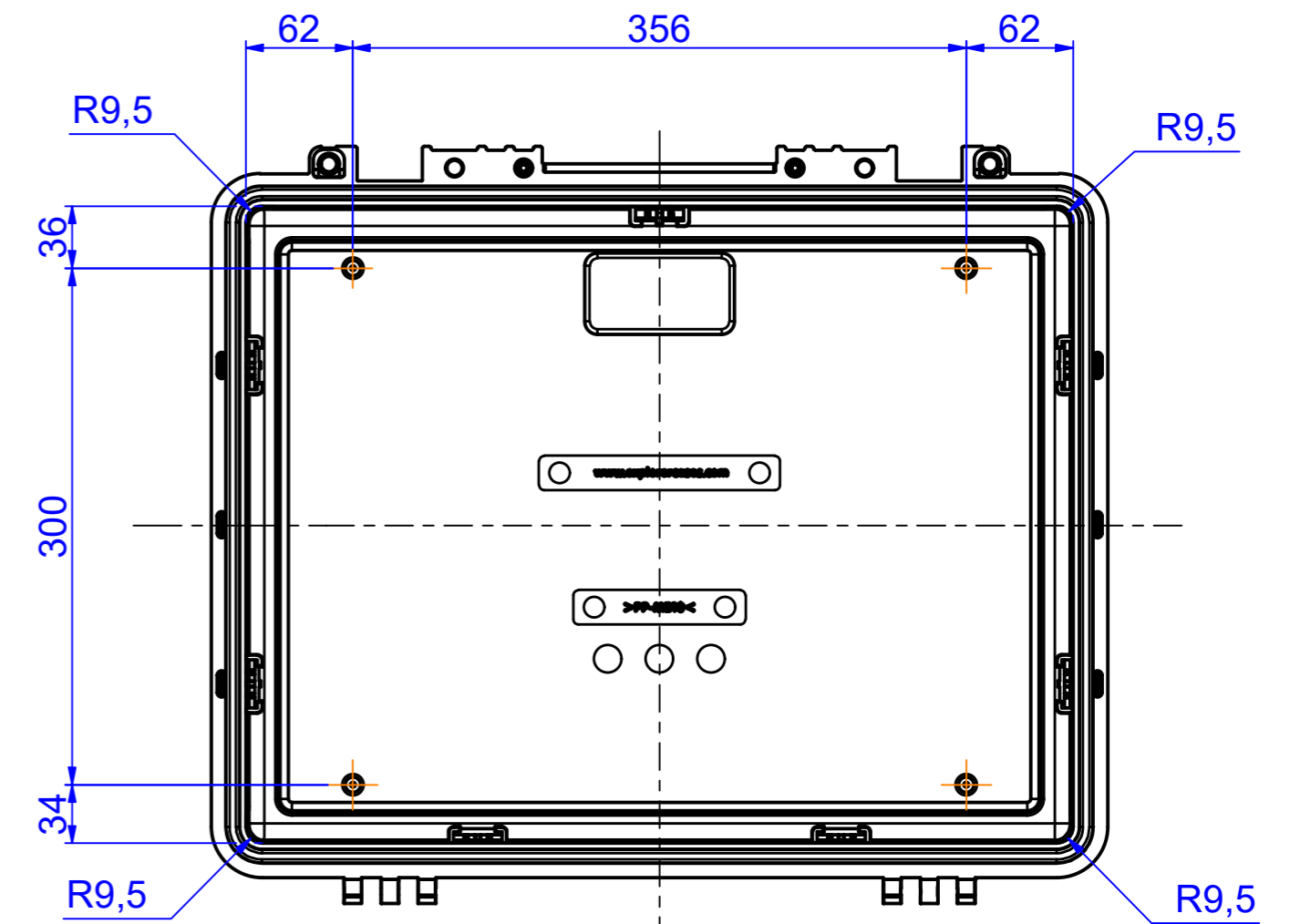
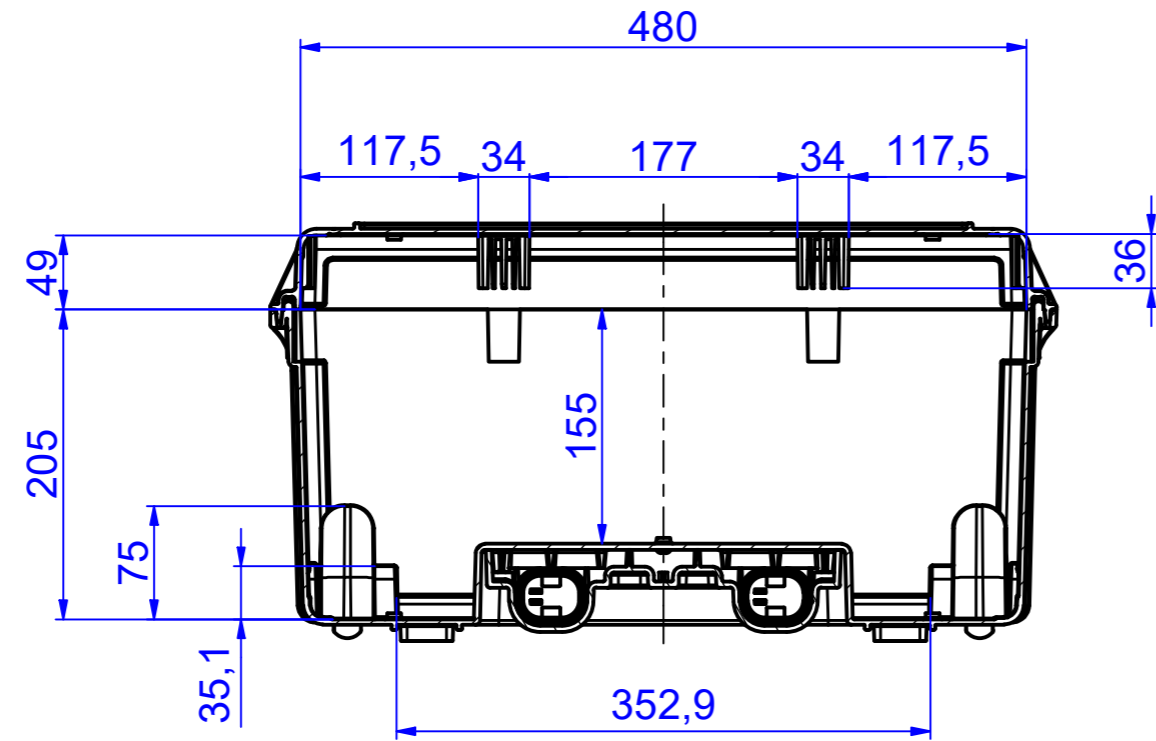
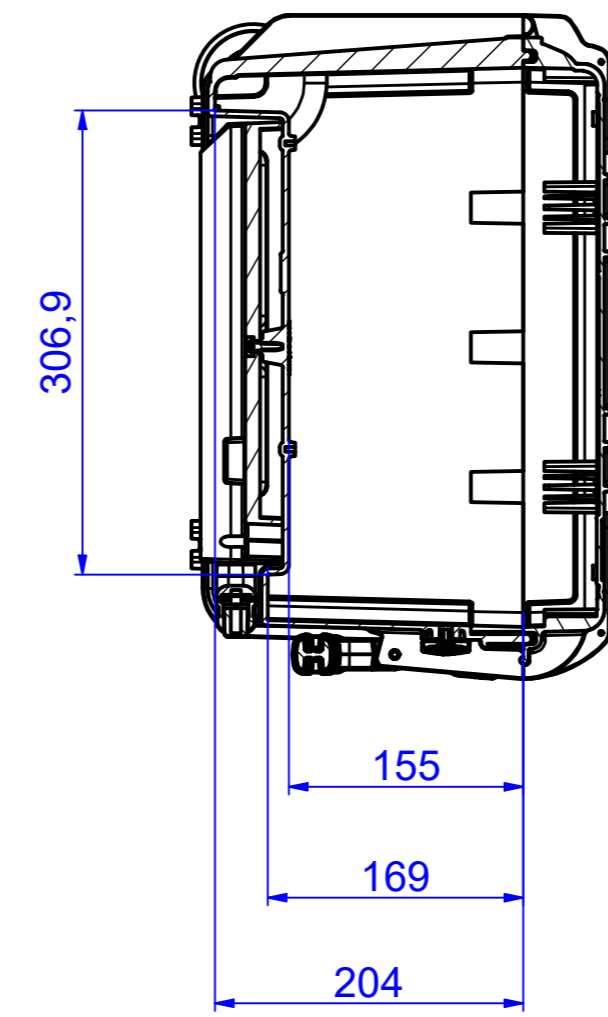


C-C

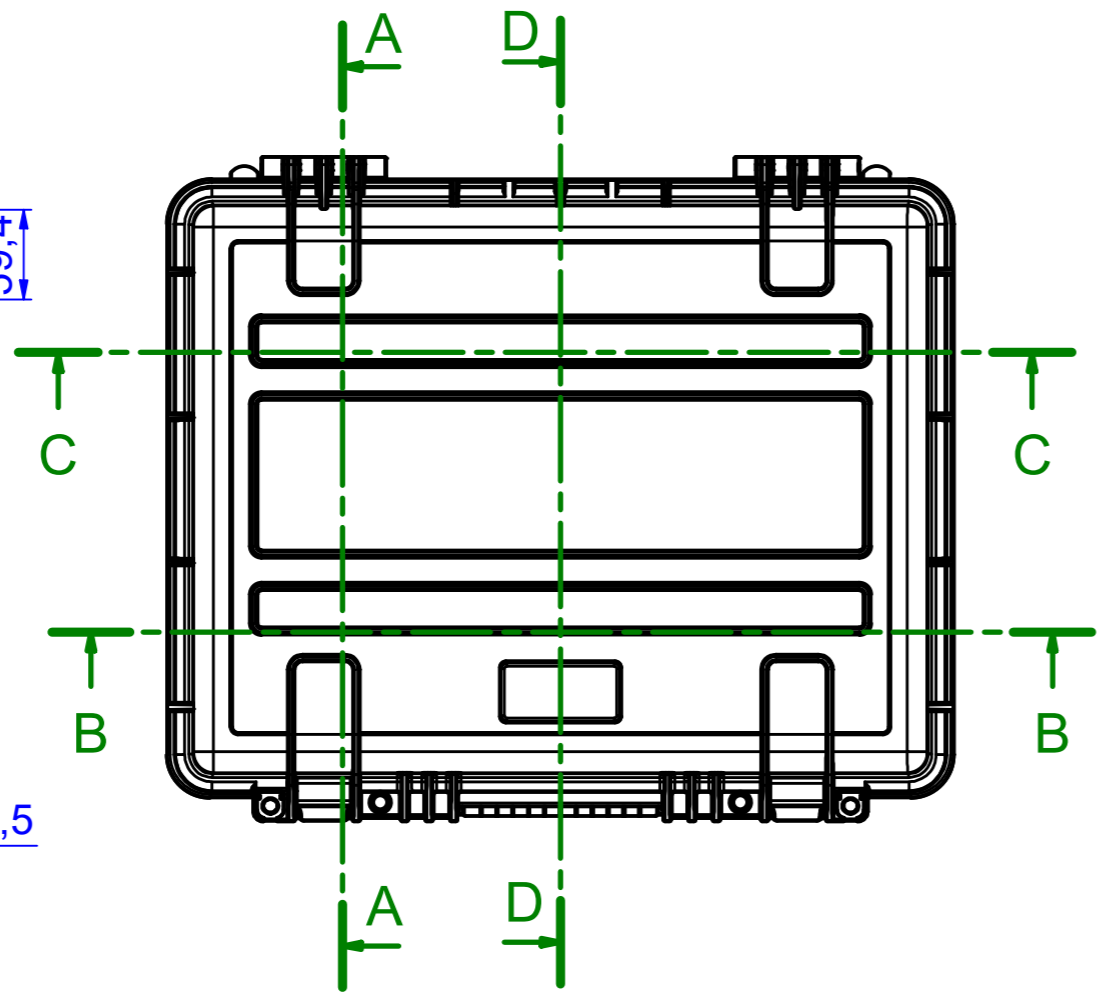
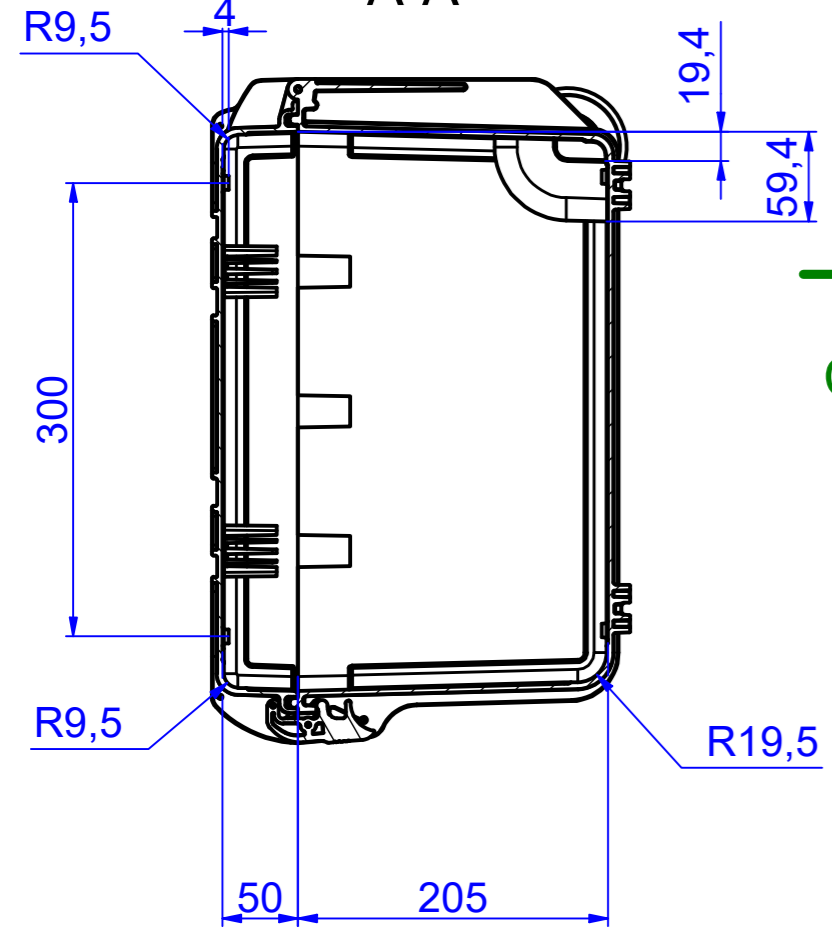


INTERNAL VIEW LID

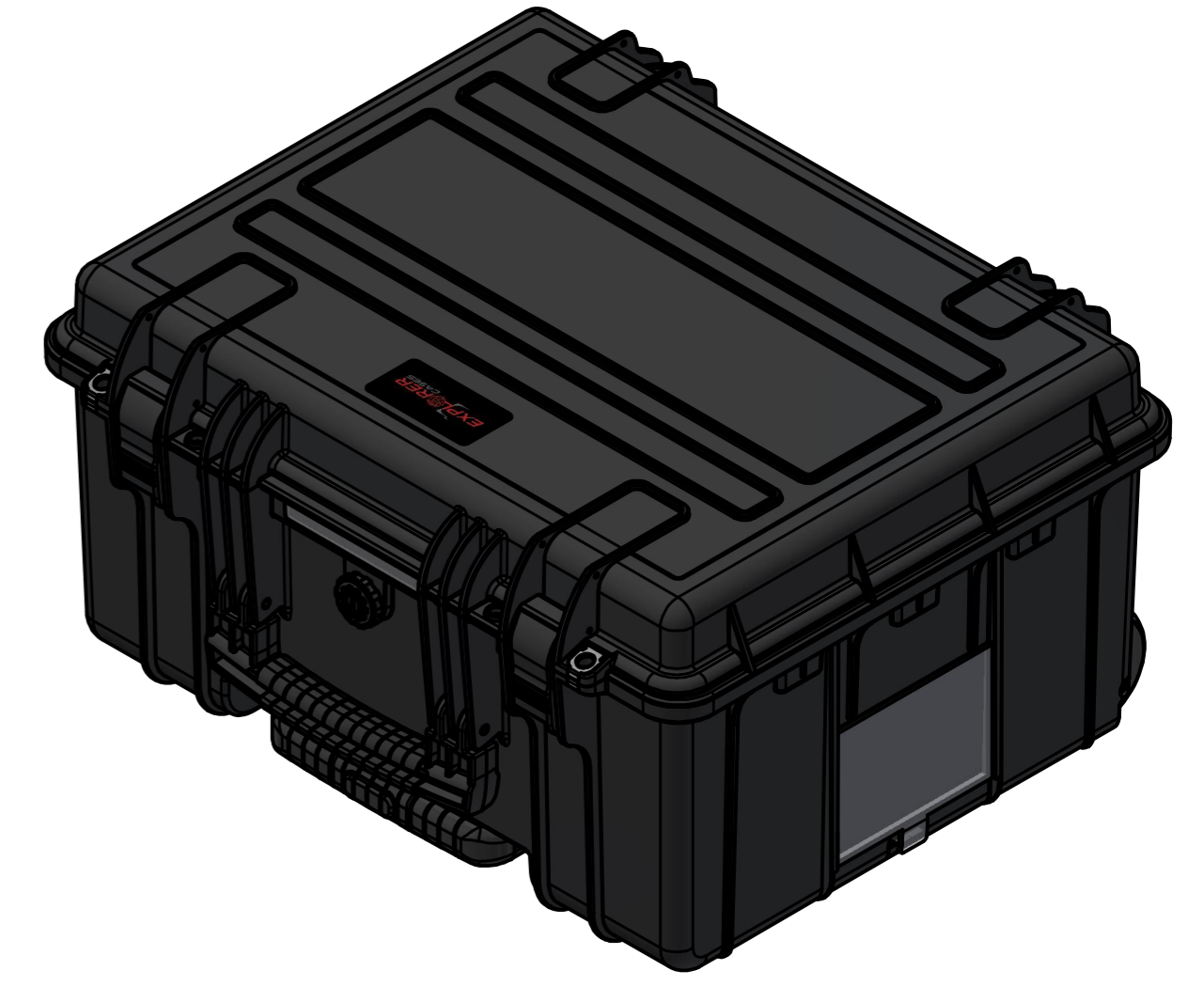
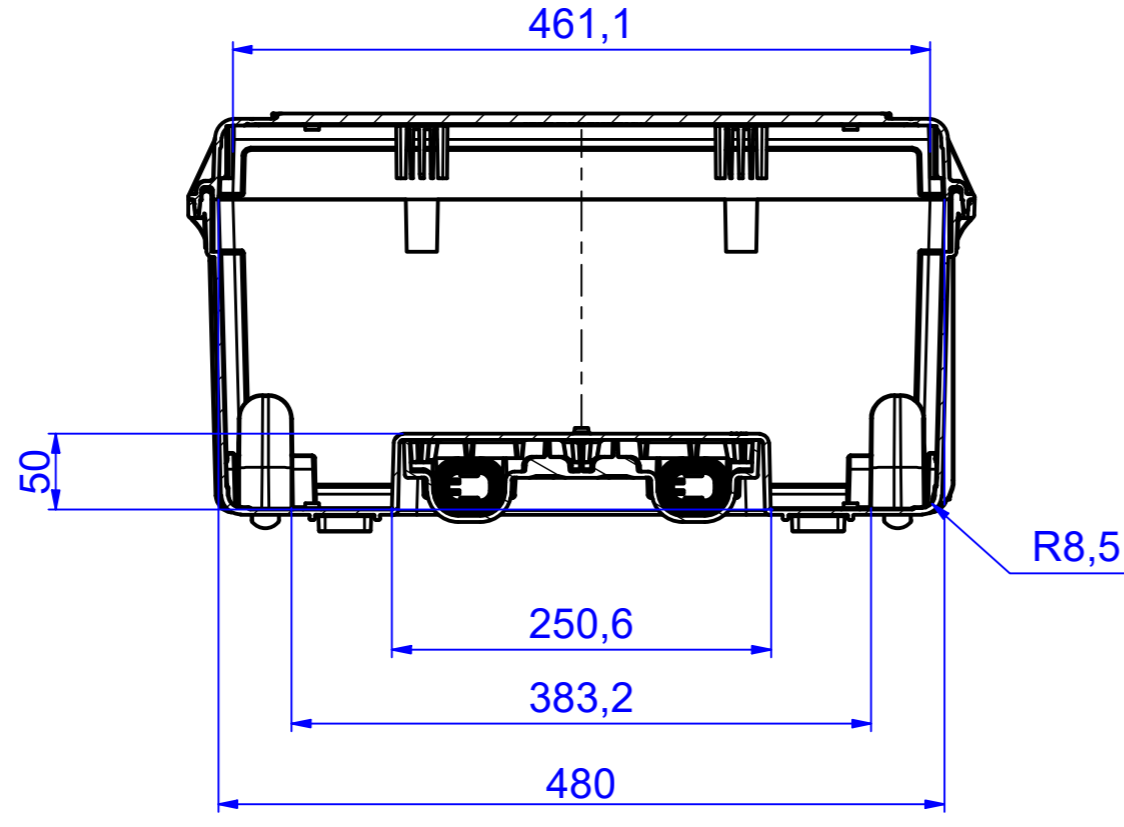
D-D



A-A



B-B



|             |      |           |      |                            |                                   |
|-------------|------|-----------|------|----------------------------|-----------------------------------|
| Note        |      |           |      | Size<br><b>A2</b>          | General Tolerance<br><b>±1,5%</b> |
|             |      |           |      | Scale<br><b>1 : 4</b>      |                                   |
| Material    |      | Treatment |      | Color                      |                                   |
| Designer    | Date | Check     | Date | Replace by                 | Date                              |
| Description |      |           |      | Revision                   |                                   |
|             |      |           |      | File Name<br><b>4825HL</b> |                                   |