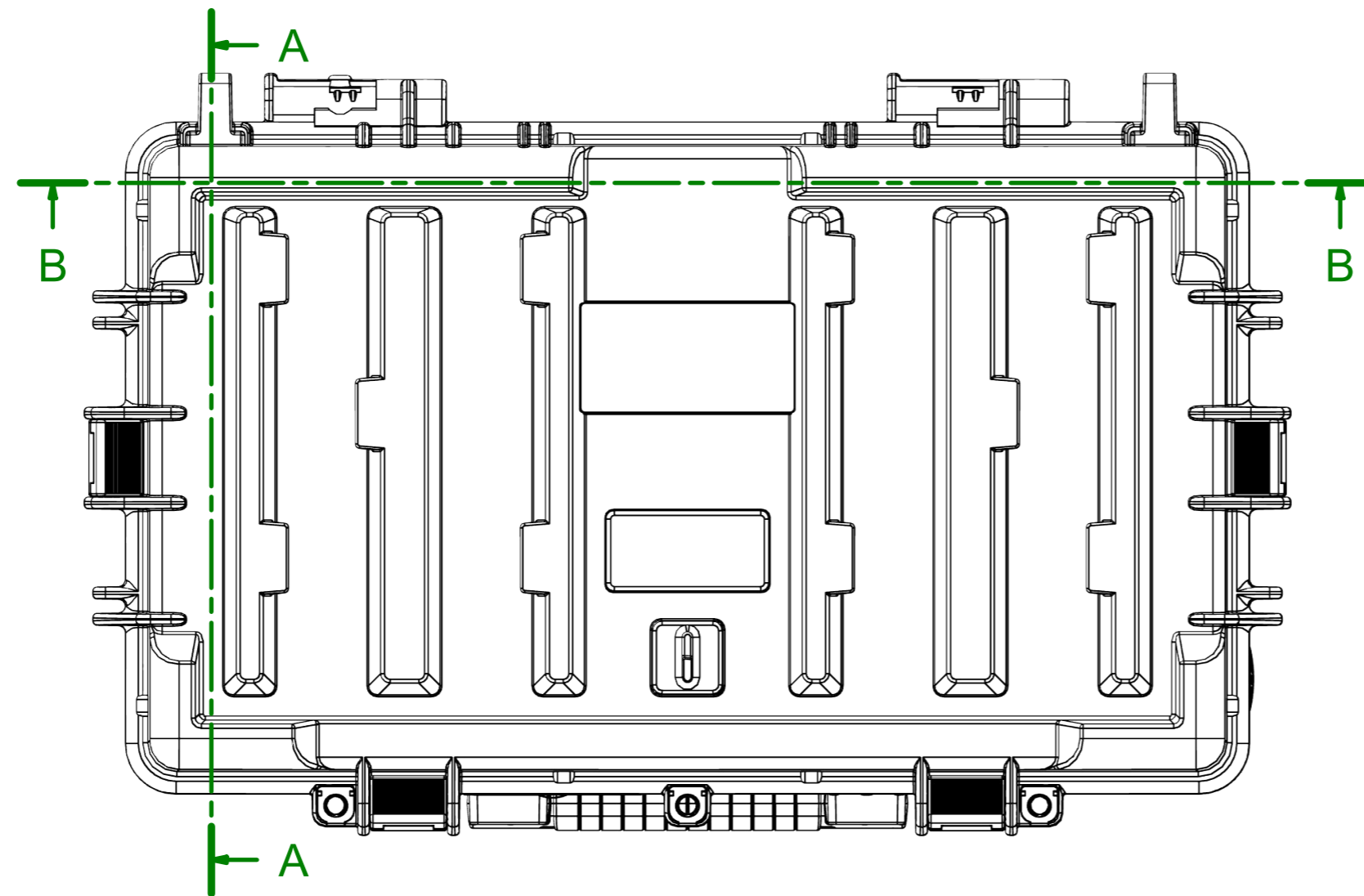
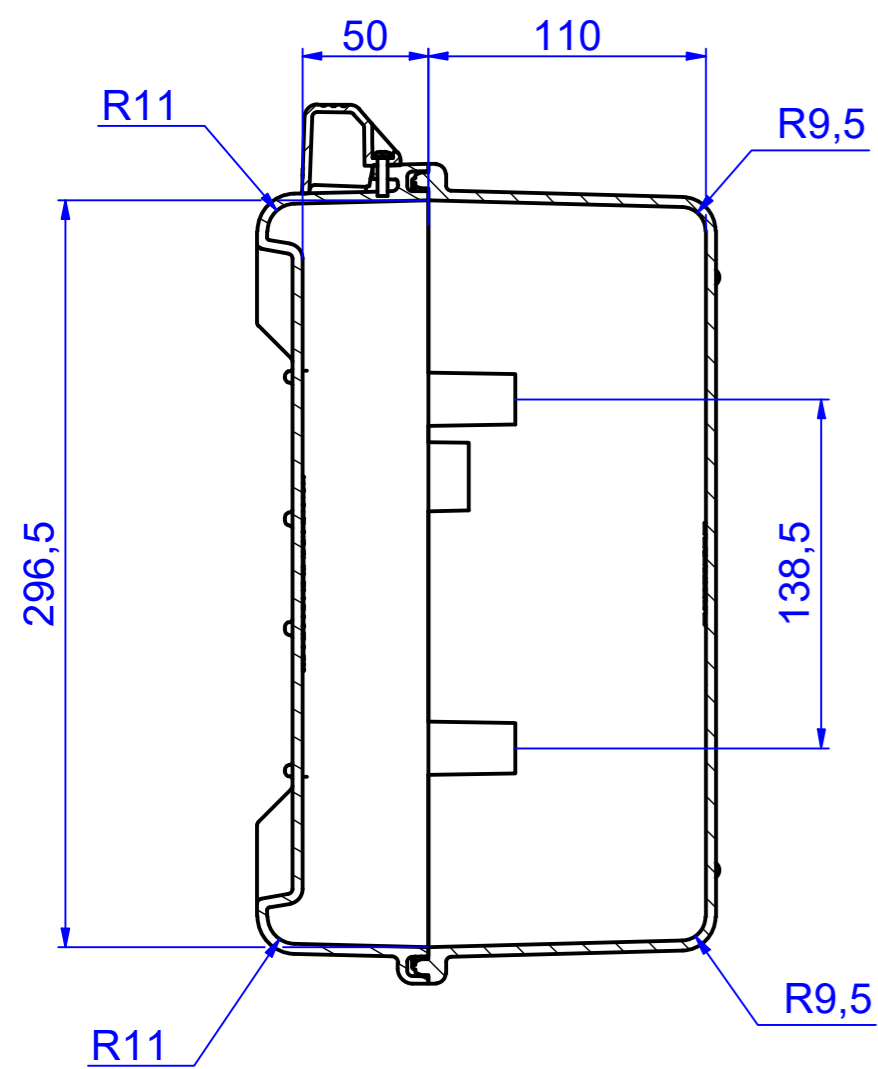
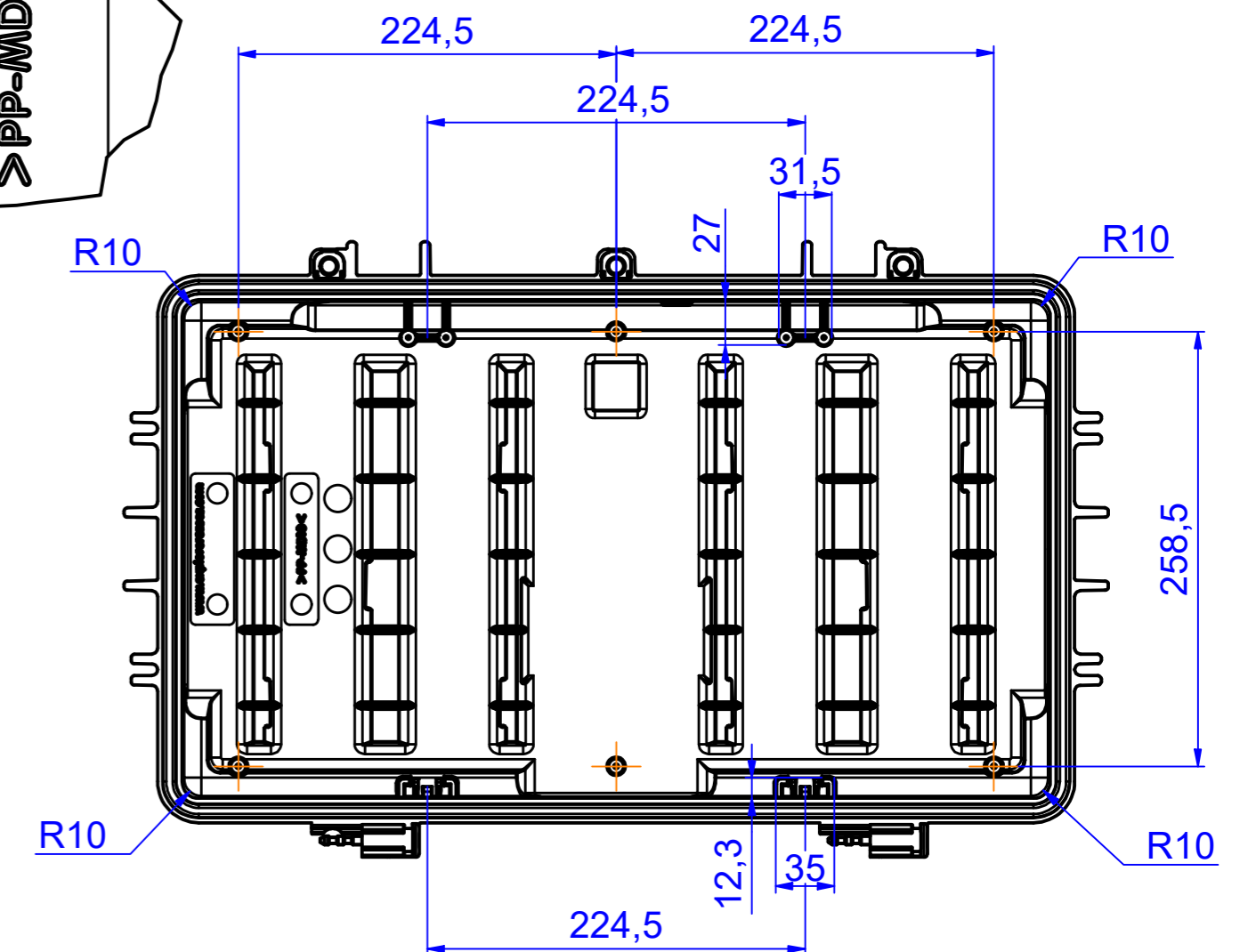
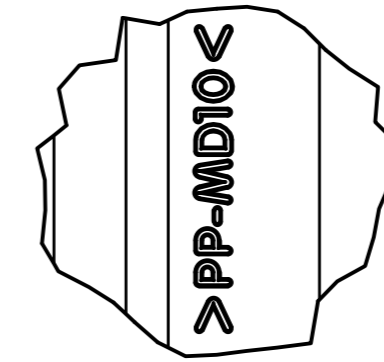


INTERNAL VIEW BOTTOM

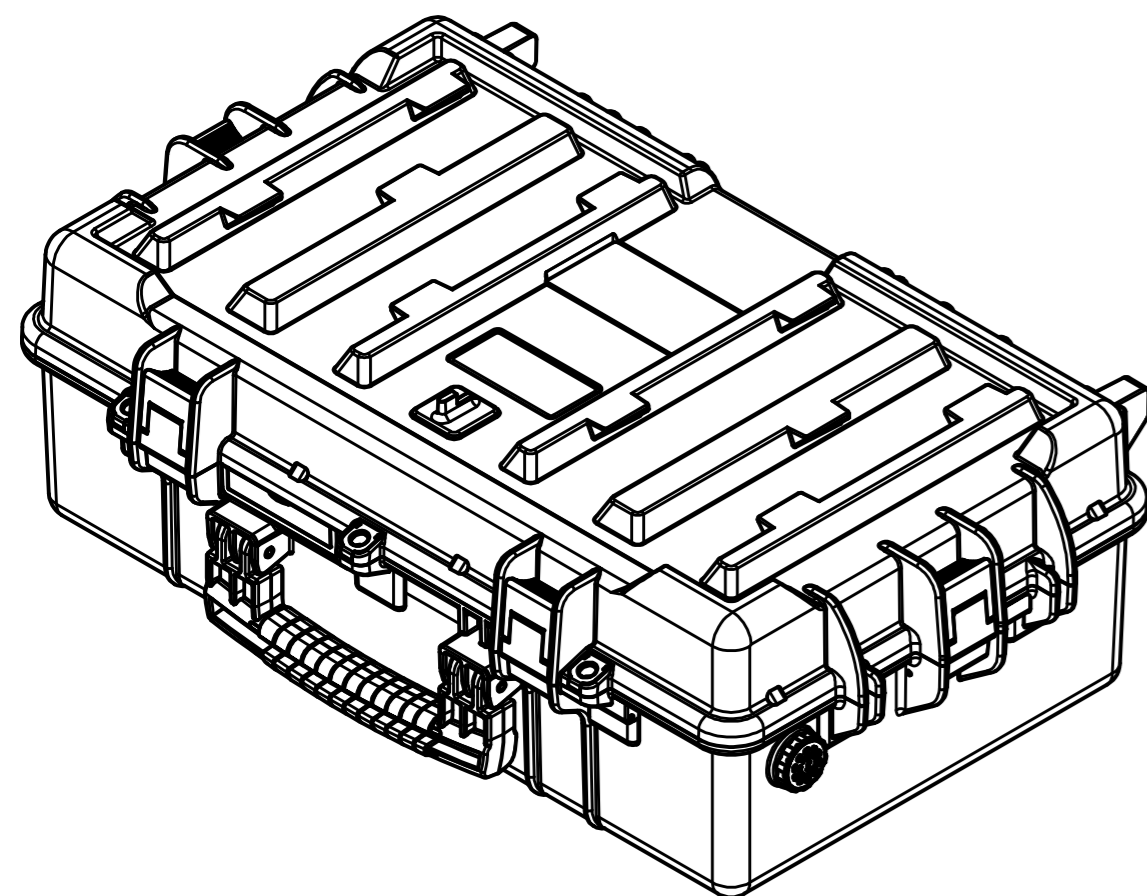
A-A



D



INTERNAL VIEW LID



EXPLORER CASES
Internal dimension-general tolerance +/-1.5%
GT Line - TechDept - All rights reserved

| | | | | | |
|----------------------|------|-----------|------|------------|-------------------|
| Note | | | | Size | General Tolerance |
| All dimensions in mm | | | | A2 | ±0,1 |
| | | | | Scale | |
| | | | | 1 : 3 | |
| Material | | Treatment | | Color | |
| Designer | Date | Check | Date | Replace by | Date |
| Description | | | | | |
| | | | | File Name | Revision |
| | | | | 5116 | |