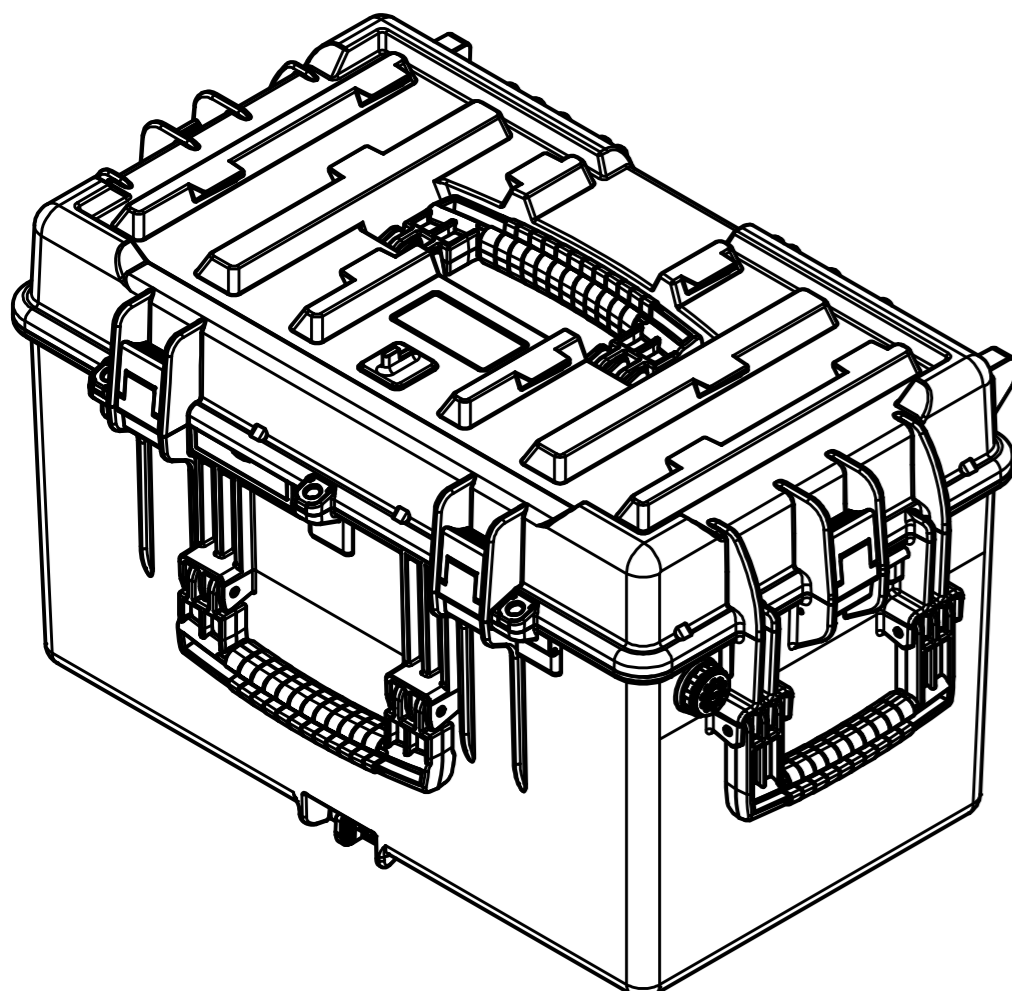
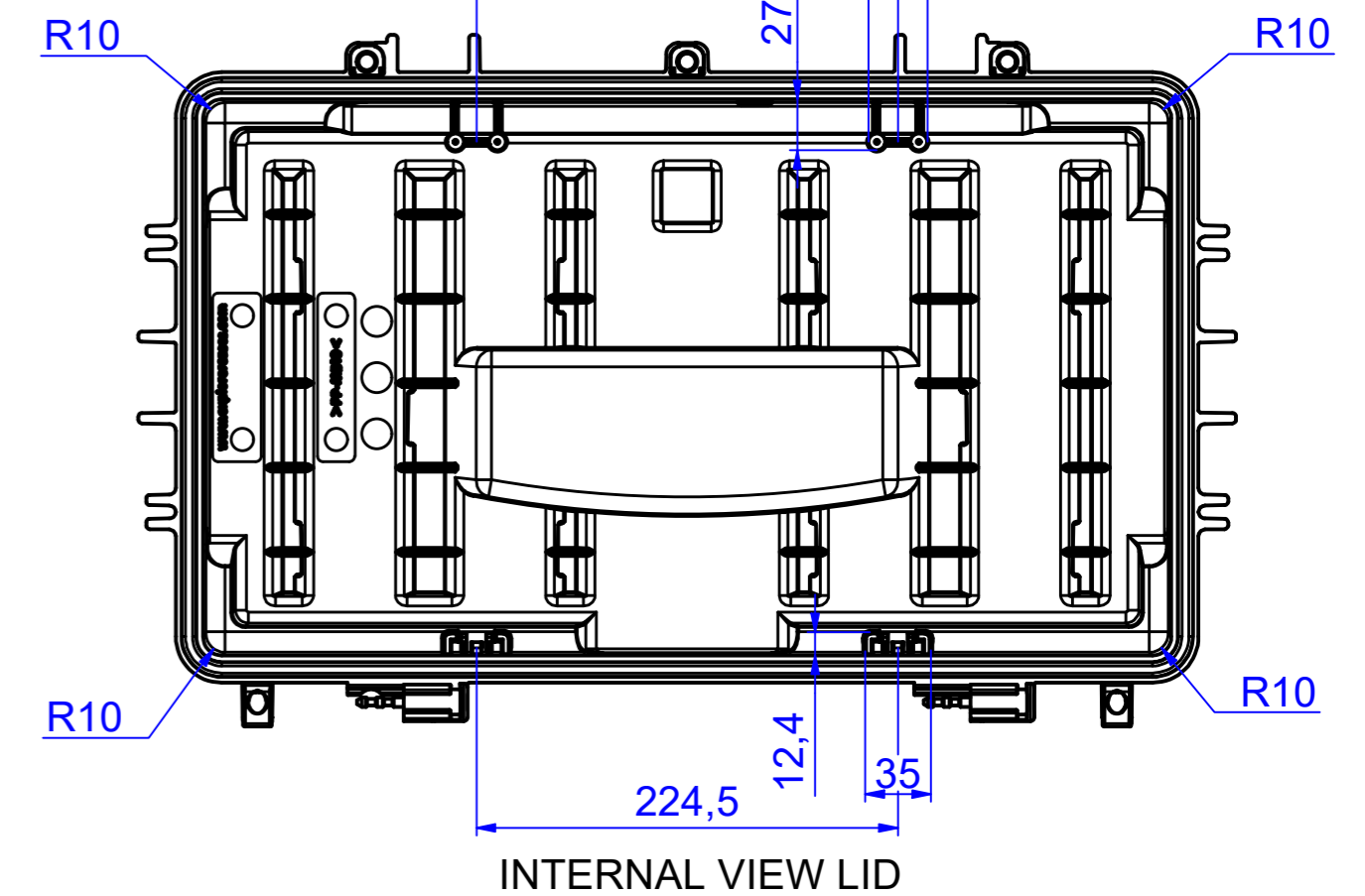
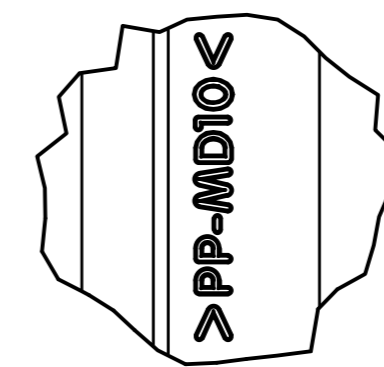
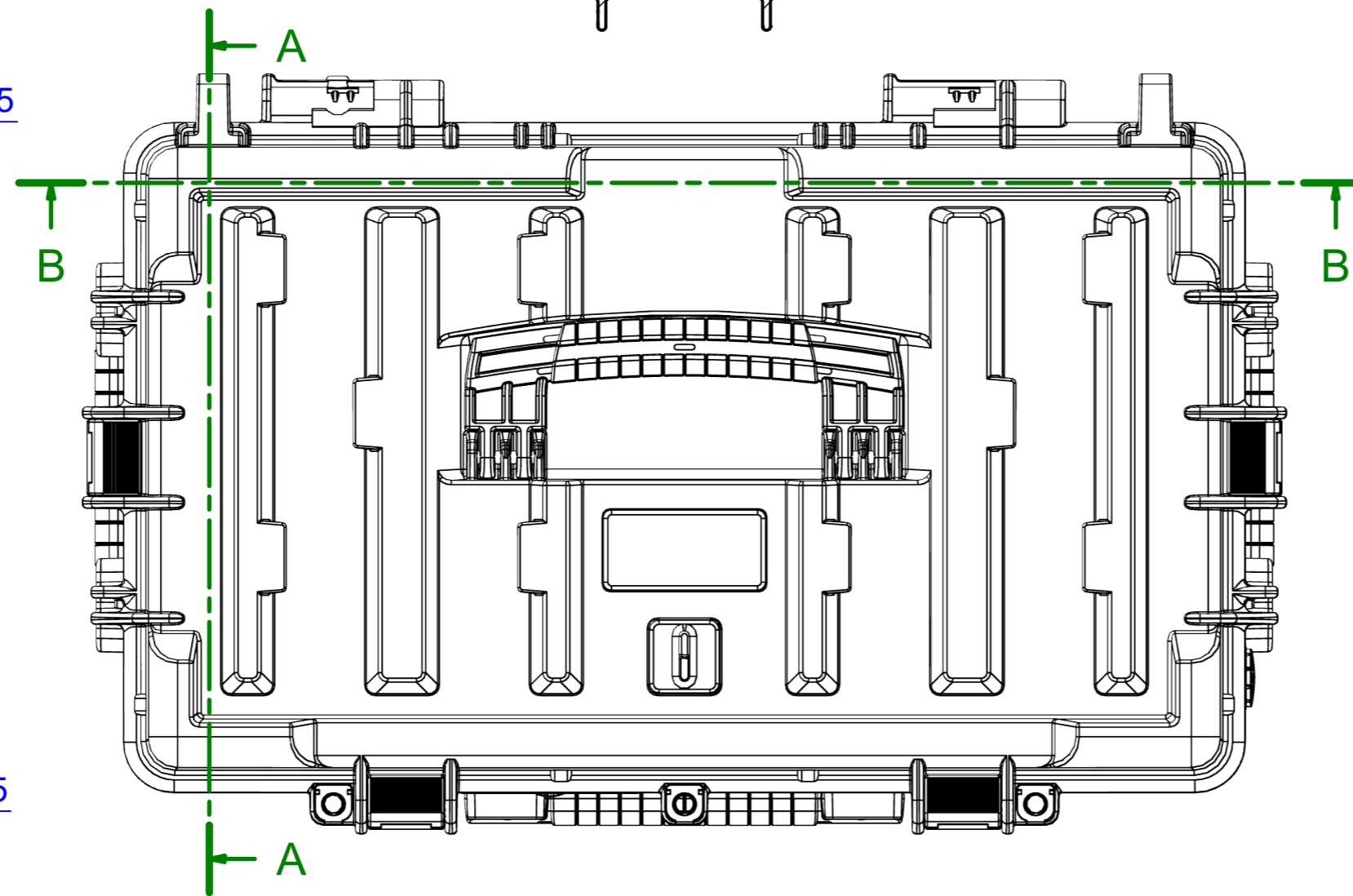
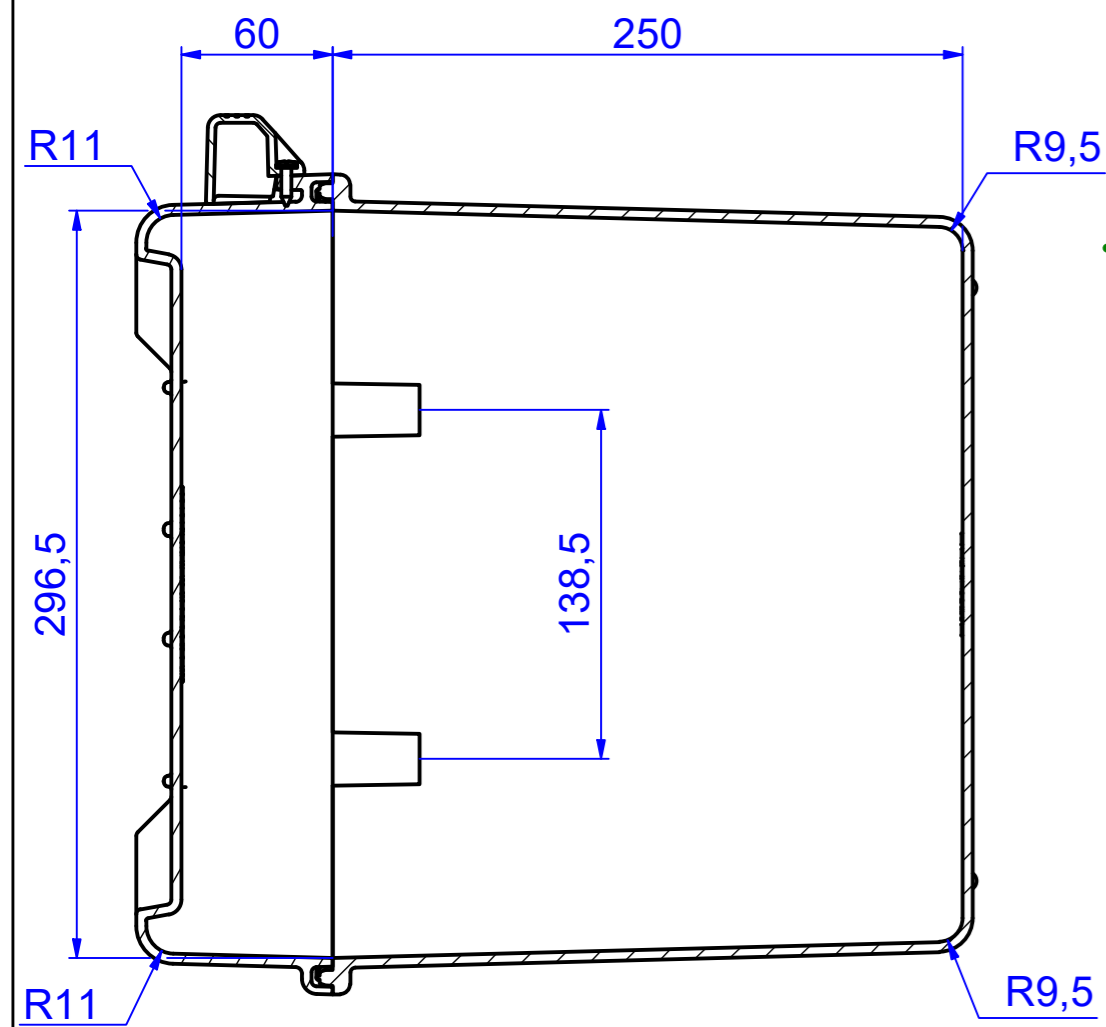


A-A

D

INTERNAL VIEW BOTTOM



EXPLORER CASES
Internal dimension-general tolerance +/-1.5%
GT Line - TechDept - All rights reserved

Note				Size	General Tolerance
All dimensions in mm				A2	±0,1
				Scale	
				1 : 3	
Material		Treatment		Color	
Designer	Date	Check	Date	Replace by	Date
Description					
				File Name	Revision
				A11MOD31-5131	