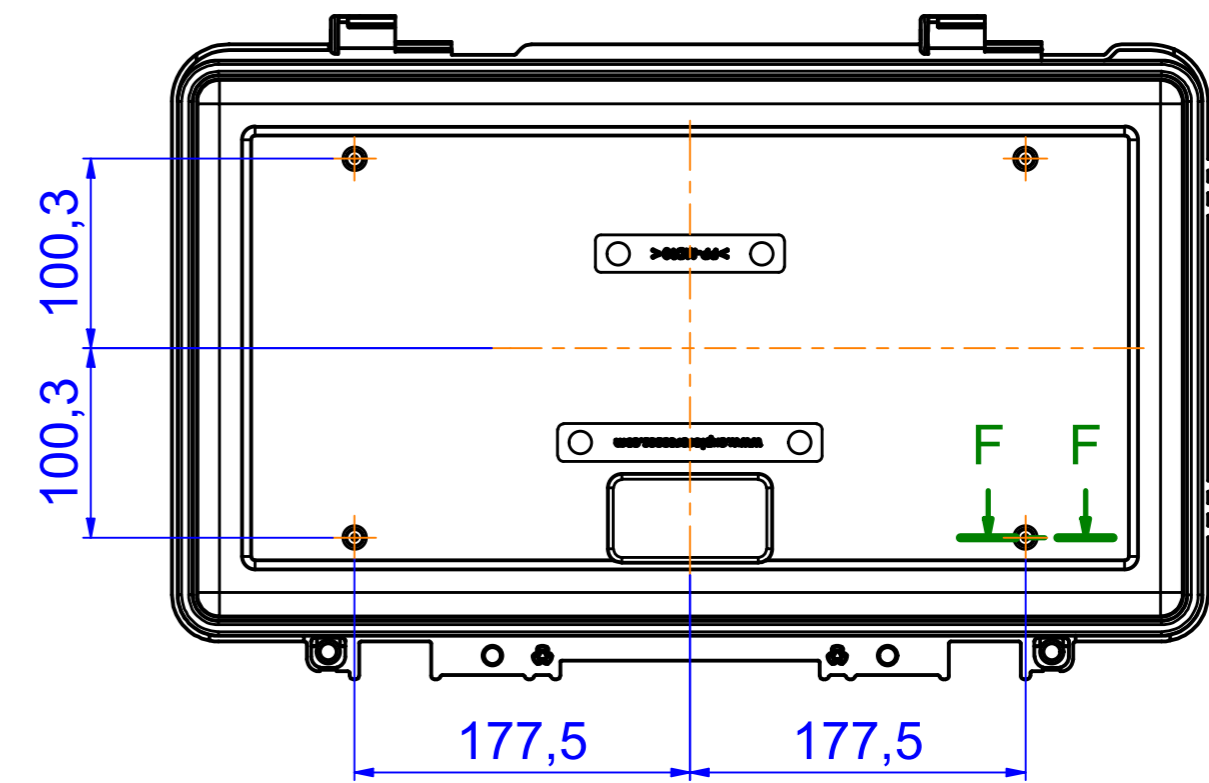
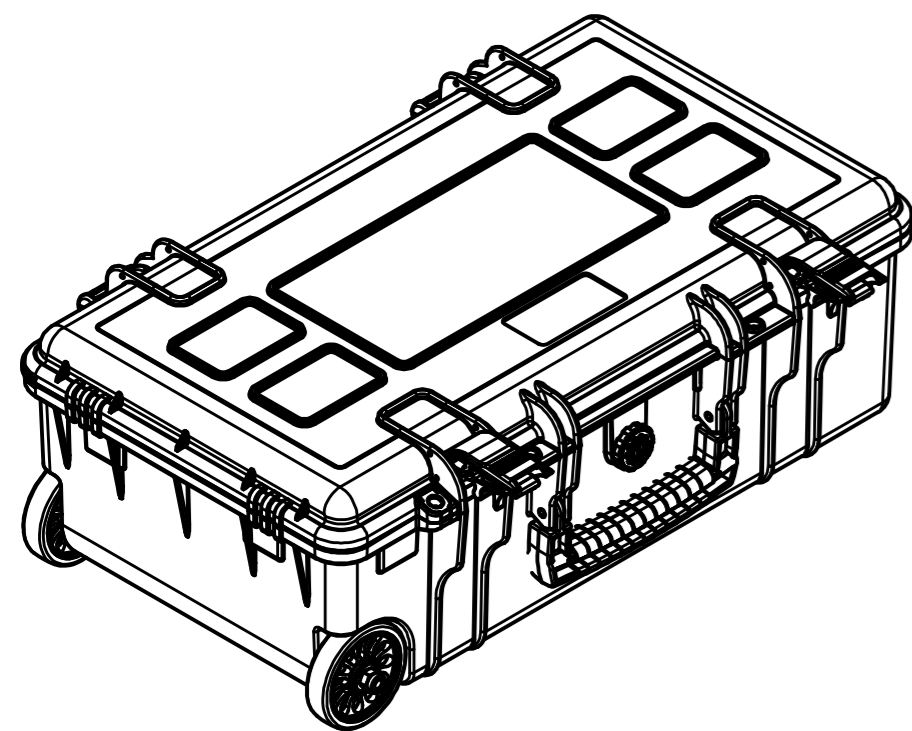
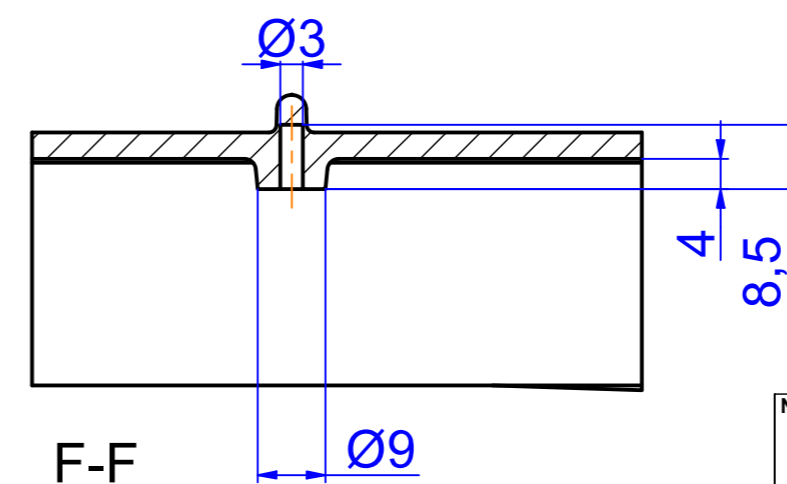


INTERNAL VIEW BOTTOM



INTERNAL VIEW LID



EXPLORER CASES  
 Dimension general tolerance 1.5%  
 GT Line - TechDept - All rights reserved

Note				Size	General Tolerance
All dimensions in mm				A2	± 1.5%
				Scale	1 : 4
Material		Treatment		Color	
Designe	Date	Check	Date	Replace by	Date
Description					
EXPLORER CASES				File Name	Revision
				5218	